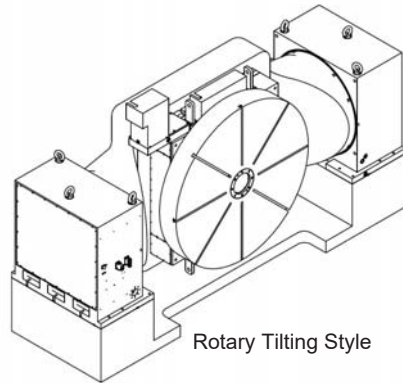
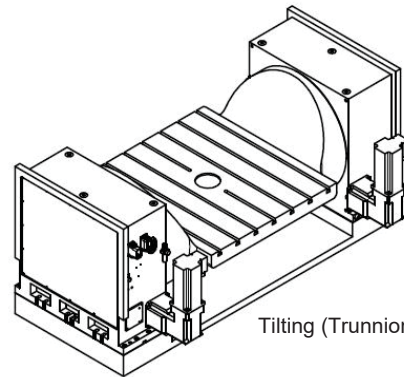




## Rusach International 3-Series: Rotary & Tilting Tables – Range A 200mm thru 800mm



Rotary Tilting Style



Tilting (Trunnion) Style

**Made In The USA**

### The Rusach Advantages

#### Application

Additional rotary and tilting axis for your machine in the range of 200mm to 800mm diameter. High accuracy and loading capacities make these tables suitable for machining and metrology applications. Ideal for horizontal boring machines, milling machines & vertical machines.

#### Bearing

Pre-loaded axial-radial roller bearings with high-loading capacity in both horizontal and vertical planes. Sensitivity and fine positioning ensured.

#### Clamping

Distortion free passive clamping by preloaded spring elements with hydraulic release.

#### Measuring Systems

Standard mechanical accuracy of +/- 15.0 Arc Seconds. High precision Heidenhain encoders are offered for increased accuracies to +/-1.0 arc seconds.

#### Motors

DC and AC servo motors.

#### Construction

Modular construction provides the widest possible freedom for application variations.



**Every Challenge Has A Solution**

## 3-Series: Rotary & Tilting Tables – Range A



We apologize, but this page is under construction. Contact sales for more information.

### Available Options

- Hand Scraped Table Top Surface
- Customized Table Top
- Workpiece Clamping System
- Prepared for Pallet System
- Alternative Measuring Systems made by Heidenhain. i.e. (ROD 800 or Inductosyn)
- Air Inlet for Internal Pressurization
- Various Motors and Intermediate Gear Boxes
- Prepared for Linear Axis (Saddle)
- Hydraulic Unit for the Clamping System
- Other Paint Surface Finishes
- NC Systems to Suit Your Application

### Standard Resolution

.0001 degree (others on request)

### Standard Accuracy

+/- 15 arc seconds. Higher on request.

### Painted Surface Finish

RAL-color range in textured surface finish

### Clamp Release Pressure

90 bar or 300 psi

For other specifications please contact our Technical department. The rights for technical modifications are reserved.

**Reference dimensions only. Approval prints are supplied on all tables.**

### Call Rusach International

100 Raymond Street

Hope, IN 47246

Phone: 317-638-0298

[www.rusach.com](http://www.rusach.com)



**Every Challenge Has A Solution**