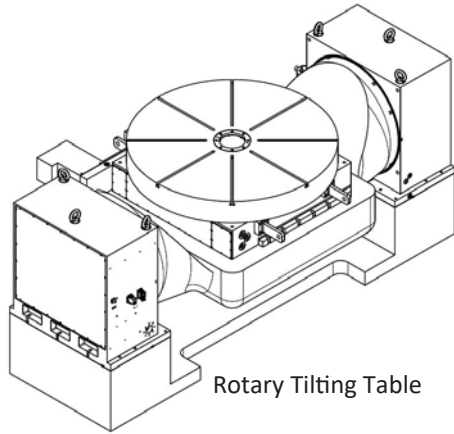
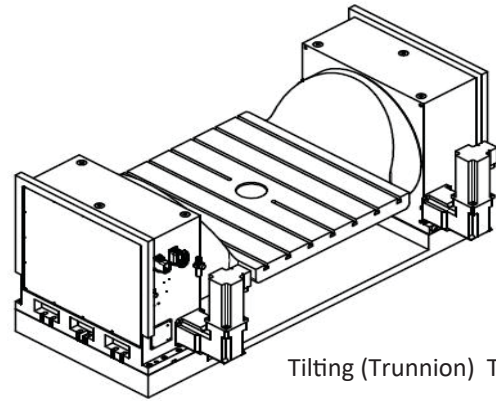




Rusach International 3-Series: Rotary & Tilting Tables-Range B 800mm thru 2,000mm



Rotary Tilting Table



Tilting (Trunnion) Table

Made In The USA

The Rusach Advantages

Application

Additional rotary and tilting axis for your machine in size range 800mm to 2,000mm diameter. High accuracy and high loading capacities make these tables suitable for heavy machining and metrology applications. Ideal for horizontal boring machines, large vertical machines, large bridge and gantry machines.

Bearing

Preloaded axial-radial roller bearings incorporated to provide high rigidity in both planes. Sensitivity and fine positioning ensured.

Clamping

Distortion free passive clamping by preloaded spring elements and hydraulic release.

Measuring Systems

Standard mechanical accuracy of +/- 15.0 Arc Seconds. High precision Heidenhain encoders are offered for increased accuracies to +/-1.0 arc seconds.

Motors

DC and AC servo motors.

Construction

Modular design provides freedom to match application requirements.



Every Challenge Has A Solution

3-Series: NC Rotary & Tilting Tables—Range B



We apologize, but this page is still under construction. Please contact sales for more information.

Available Options

- Hand Scraped Table Top Surface
- Customized Table Top
- Workpiece Clamping System
- Prepared for Pallet System
- Alternative Measuring Systems made by Heidenhain. i.e. (ROD 800 or Inductosyn)
- Air Inlet for Internal Pressurization
- Various Motors and Intermediate Gear Boxes
- Prepared for Linear Axis (Saddle)
- Hydraulic Unit for the Clamping System
- Other Paint Surface Finishes
- NC Systems to Suit Your Application
- Larger Sizes Designed per Application

Standard Resolution

.0001 degree (others on request)

Standard Accuracy

+/- 15 arc seconds. Higher on request.

Clamp Release Pressure

90 bar or 1300 psi

Painted Surface Finish

RAL-color range in textured surface finish

For other specifications please contact our Technical department. The rights for technical modifications are reserved.

Reference dimensions only. Approval prints are supplied on all tables.

Call Rusach International

100 Raymond Street

Hope, IN 47246

Phone: 317-638-0298

www.rusach.com



Every Challenge Has A Solution