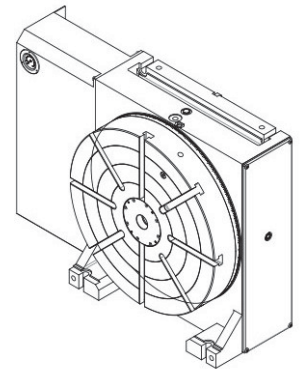
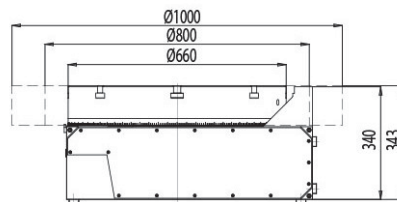
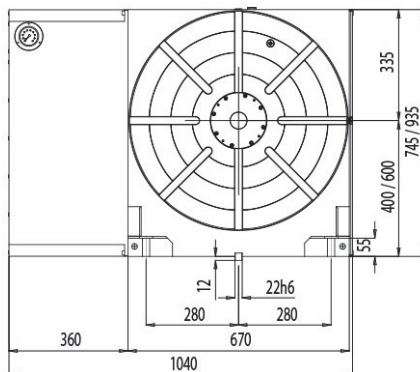
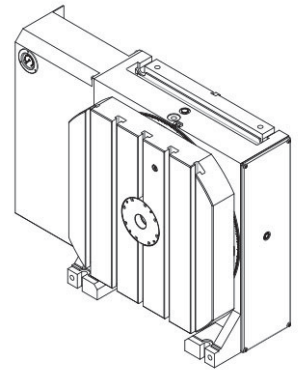
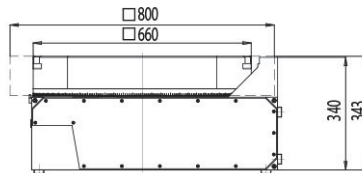
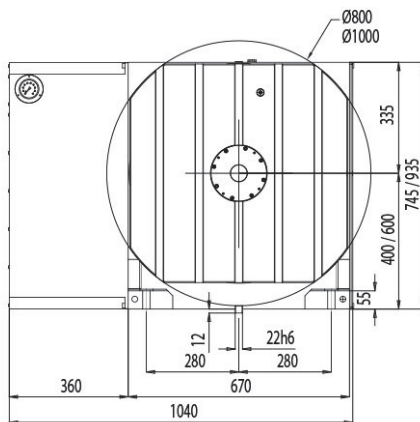


SERIES C1- HV

One Axis Rotary Table (Horizontal / Vertical Convertible)

Size Range 660mm thru 1000mm

(25 inch rotary table thru 39 inch rotary table)



Specifications

- Horizontal/Vertical Axis Working Conditions
- Compact and Flexible Design Casting Body
- Robust and Rigid Body Allowing Heavy Machining
- Improved Brake System Avoiding Distortions and Improving Machining Conditions
- Powerful Pneumatic Clamping Torque
- High Accuracy

Options

- Available with All Types of Motors
- Flexible Motor Positioning (Right, Left)
- Rotary Encoder can be Fitted to Further Increase Accuracy
- Available Through Bore Option

Accessories

- Tailstock (Manual, Pneumatic, Hydraulic)
- Tail Spindle
- Trunnion
- Rotary Joint
- Face Plate
- Scroll Chuck with Jaws
- Steady Rest
- Rotary Support

TECHNICAL DESCRIPTION

		C1-D660-HV	C1-C660-HV	C1-D800-HV	C1-C800-HV	C1-D1000-HV
Face plate diameter	mm	Ø660	660 x 660	Ø800	800 X 800	Ø1000
Face plate "T" slot width	mm	(1) 22H7 - Rest. 22H10				
Type of slots	-	Radial (optional Parallel)				
Distance between slots	-	To determine by customer				
Plate height (horizontal pos.)	mm	343	343	343	343	343
Center height	mm	410	410	410	600	600
Center bore nose dia.	mm	Ø50H7x30				
Guide block width	mm	22h6 (opt.18h6)				
Clamping distance to table	mm	125/250				
Standard configuration	-	Horizontal & Vertical axis				
Motor position	-	Right (optional left)				
Indexing accuracy - direct encoder	arc sec	RCN2380/90F ± 5" (R.Table ±7") / RCN2580/90F ±2,5" (R.Table ±5")				
Indexing accuracy - direct encoder	arc sec	RCN8380/90F ± 2" (R.Table ±4") / RCN8580/90F ±1" (R.Table ±3")				
Repeatability	arc sec	±1"				
Main bearing diameter	-	395x525x65				
Clamping system	-	Hydraulic				
Clamping torque	Nm	4.150	4.150	4.150	4.150	4.150
Clamping pressure	Bar	40	40	40	40	40

Work load - Plate horizontal	Kg _i	4.000	4.000	4.000	4.000	4.000
Work load - plate vertical		2.000	2.000	2.000	2.000	2.000
Work load - plate vertical W/Ts		4.000	4.000	4.000	4.000	4.000
Maximum axial force - Horizontal	N ³	75.000	75.000	75.000	75.000	75.000
Maximum axial force - Vertical	N ³	55.000	55.000	55.000	55.000	55.000
Tilting moment - Horizontal	Nm ³	22.000	22.000	22.000	22.000	22.000
Tilting moment - Vertical	Nm ³	18.000	18.000	18.000	18.000	18.000
Transmissible torque max. speed	Nm	2.675 (opt. 4.500)	2.675 (opt. 4.500)	2.675 (opt. 4.500)	2.675 (opt. 4.500)	2.675 (opt. 4.500)
Recommended motor torque	Nm	27	27	27	27	27
Motor speed	rpm	2000/3000				
Table rotation speed	rpm ⁴	11,11 / 16,66	11,11 / 16,66	11,11 / 16,66	11,11 / 16,66	11,11 / 16,66
Gear and pinion reduction	i	90/1	90/1	90/1	90/1	90/1
Belt / Pulley	i	2/1 (opt.3/1)	2/1 (opt.3/1)	2/1 (opt.3/1)	2/1 (opt.3/1)	2/1 (opt.3/1)
Total reduction ratio	i ²	180/1 (opt.270/1)	180/1 (opt.270/1)	180/1 (opt.270/1)	180/1 (opt.270/1)	180/1 (opt.270/1)
Flatness of plate turning	mm	0,020	0,020	0,020	0,020	0,020
Perpendicularity	mm	0,020	0,020	0,020	0,020	0,020
Concentricity center bore	mm	0,010	0,010	0,010	0,010	0,010
Weight (W/O Motor)	Kg	800	850	1.100	1.225	1.350
Equipped with digital servo motor	SIEMENS	1FK7 101-2AF71-1AG0				
	HEIDENHAIN	QSY 155D EcoDyn				
	FAGOR	FKM 83.30A				
	FANUC	ALPHA ais22/4000HV				
Moment of inertia (approx.)	Kg.m ²	520	520	550	550	575
Lubrication oil CEPSA EP-80W90						

USA Sales, Service & Repair Contact

Rusach International

100 Raymond Street Hope, IN, USA 47246

317-638-0298 www.rusach.com sales@rusach.com

